

SCALE 1 : 4

REVISIONS				
REV.	ECO	ZONE	APPROVED	DATE
A			RELEASE	RGW 10/14/16

PROPRIETARY AND CONFIDENTIAL
 THE INFORMATION CONTAINED IN THIS
 DRAWING IS THE SOLE PROPERTY OF
 PRESONUS AUDIO ELECTRONICS INC.
 ANY USE OR REPRODUCTION IN PART
 OR AS A WHOLE WITHOUT THE
 WRITTEN
 PERMISSION OF PRESONUS AUDIO
 ELECTRONICS IS PROHIBITED.

UNLESS OTHERWISE SPECIFIED: DIMENSIONS ARE IN MM TOLERANCES: ANGLE .X \ SEE NOTES .XX \ .XXX \	NAME	DATE
MATERIAL: SEE NOTES	DRAWN BY: RGW	10/14/16
FINISH: SEE NOTES	ENG. APPR.	
DO NOT SCALE DRAWING	MFG. APPR.	
COMMENTS:		

		PRESONUS AUDIO ELEC. INC. 18011 GRAND BAY COURT BATON ROUGE, LA 70809 USA	
TITLE: PRODUCT ASSEMBLY - STUDIO LIVE 24			
SIZE	DWG. NO.	REV.	
B	92-20000026	A	
SCALE:	SHEET 1 OF 3		

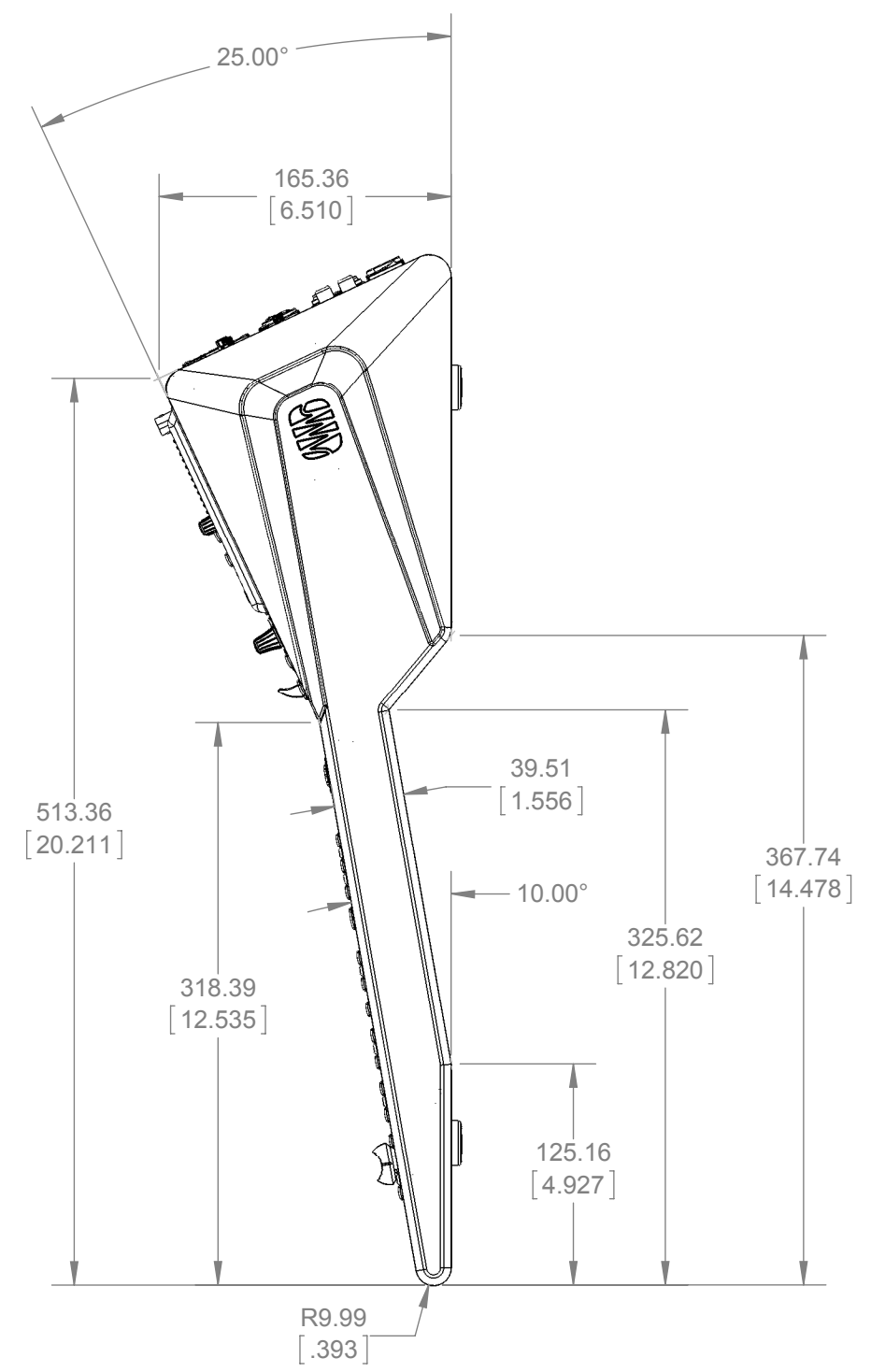
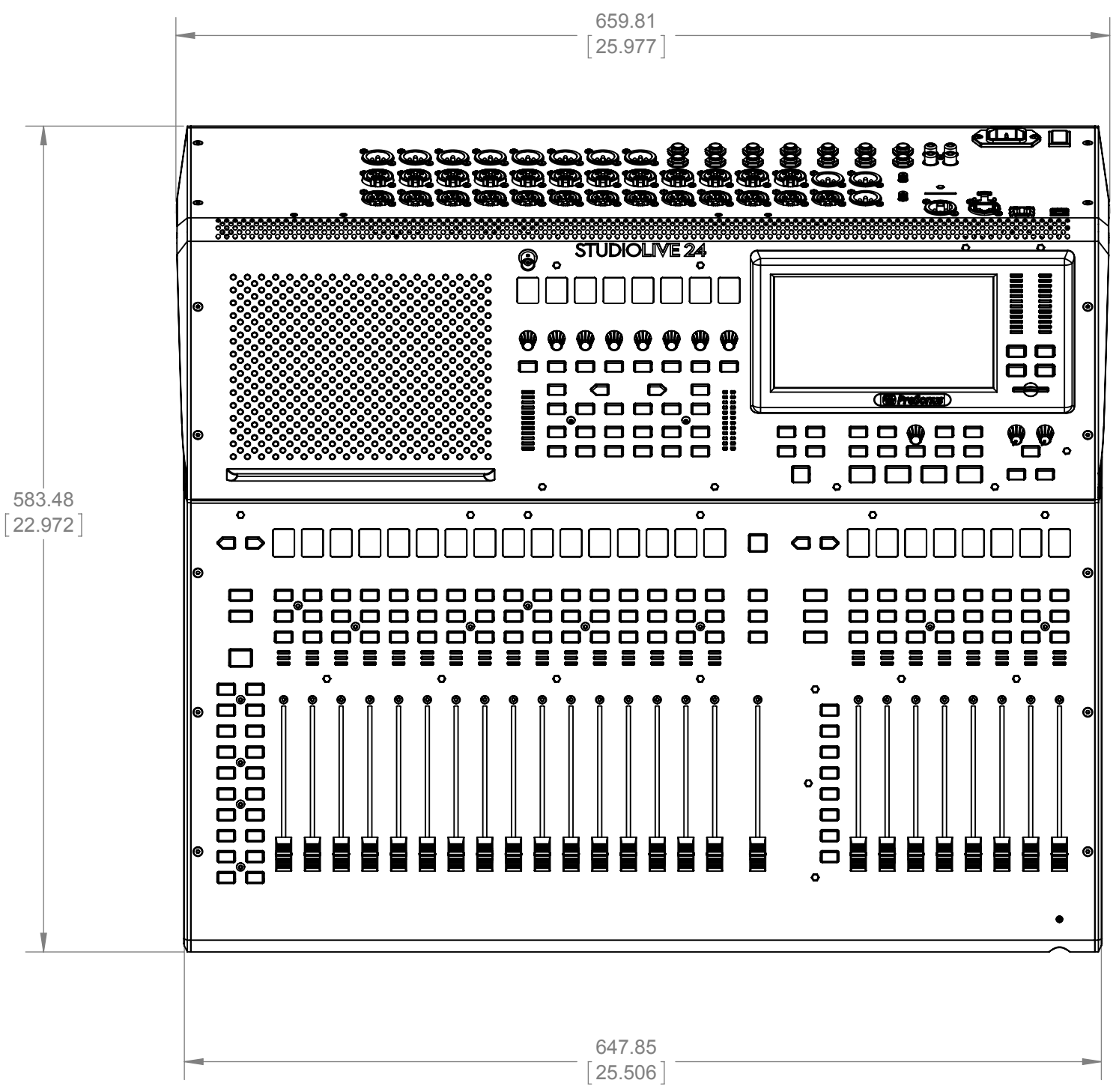
4 3 2 1

D

C

B

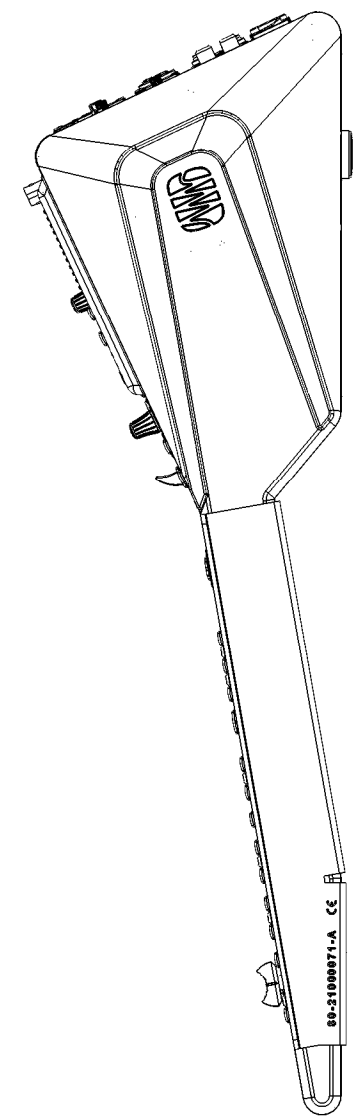
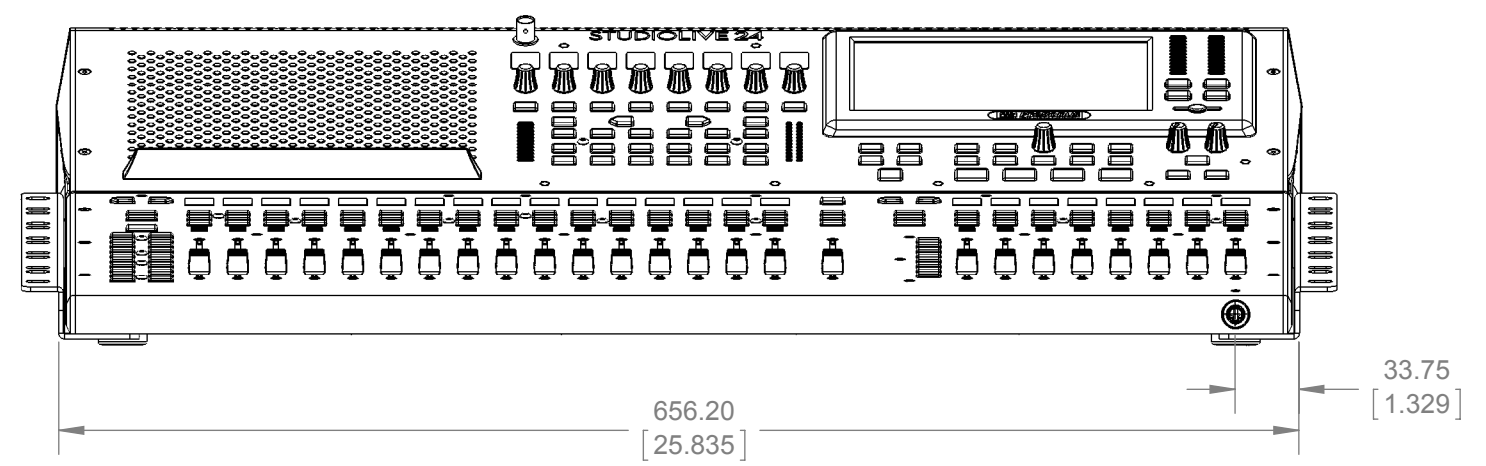
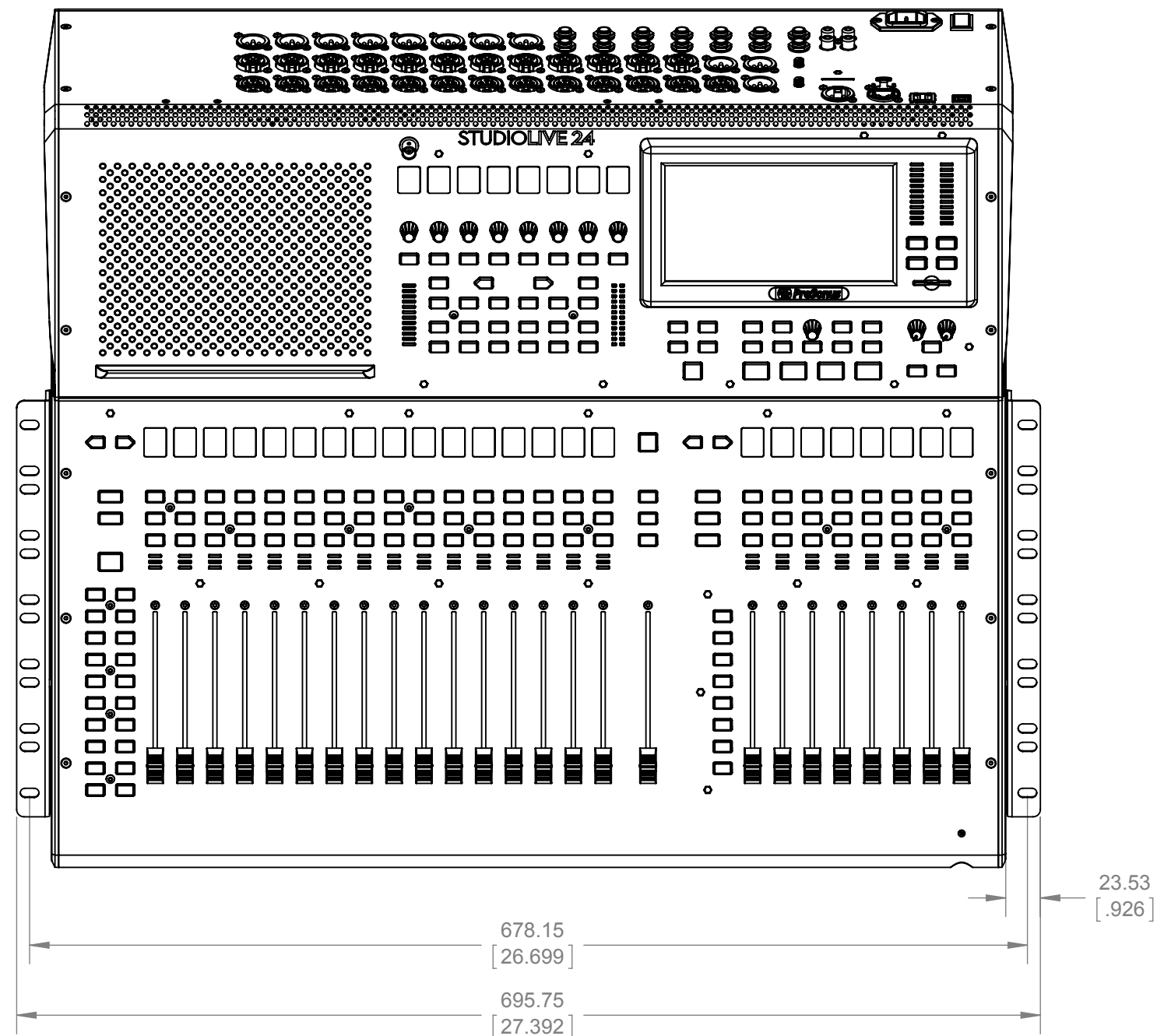
A



SCALE 1 : 4

SIZE B	DWG. NO. 92-20000026	REV. A
SCALE:		SHEET 2 OF 3

4 3 2 1



SCALE 1 : 4

SIZE B	DWG. NO. 92-2000026	REV. A
SCALE:	SHEET 3 OF 3	